

Specifications

Jefferson Direct Vent/Natural Vent Gas Heater / NG 2820, 2822, 2823 and LP 2825, 2827, 2828

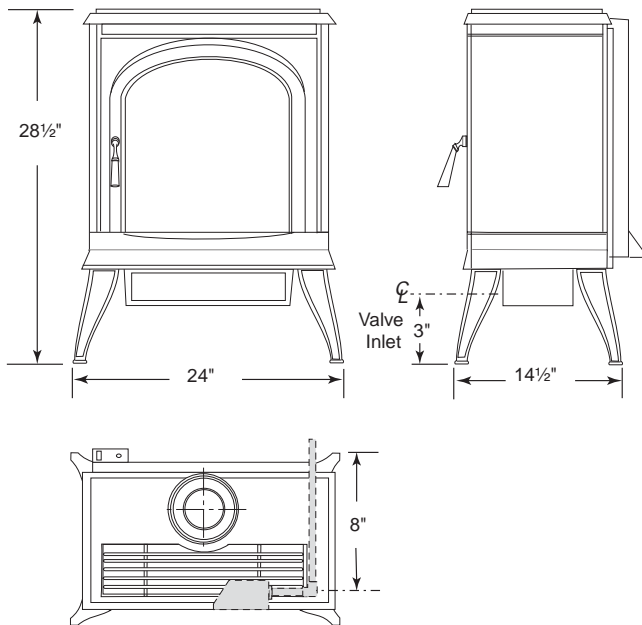
Fuel	NG	LP
Manifold Pressure - Min./Max.:	1.7" / 3.5"	6.3" / 10.0"
Min. Inlet Supply Pressure for adjustment:	5.5" w.c.	11.0" w.c.
Max. Inlet supply Pressure for adjustment:	14.0" w.c.	14.0" w.c.
Input BTU/h	28,000	28,000
Ignition: Piezo		
Thermostat: Not supplied - use only 500 millivolt type		
Weight: Fully assembled in Freestanding Shell; 202 lbs.		

**Jefferson Direct Vent / Natural Vent
Certified to
ANSI Z21.88a-2000 / CSA 2.33a-2000
Vented Gas Fireplace Heaters**

The installation of your Vermont Castings stove must conform with local codes, or in the absence of local codes, with the National Fuel Gas Code ANSI Z223.1 - latest edition, or CSA B149.1 Installation code. (EXCEPTION: Do not derate this appliance for altitude up to 4,500 feet (1,370m). Maintain the manifold pressure at 3.5" w.c. for Natural Gas and 10.0" w.c. for LP Gas.

Accessories

- #2960 FK28 Fan Kit
- IMT Optional Wall Thermostat
- MRC1 ZC1100 Remote Control (ON/OFF w/batteries)
- MRC2 ZC2200 Remote Control (ON/OFF thermostat w/batteries)
- MRC3 ZC1300 Remote Control (LCD ON/OFF thermostat, timer w/batteries)



See Page 6 for Flue Collar Centerline Dimensions.

Fig. 1 Jefferson dimensions.